

Marcespe E-226 UHS High-speed



Marcespe Machinery Equipment Co.,Ltd

- 1 40-micron high-speed microcharacter inkjet printer
- 2 High-speed six-core CPU
- 3 SCloud Cloud service platform
- 4 Remote assistance · upgrade

 **Contech Supply**
Better code Friendly cost

 02-170-8051

 contech@contechsupply.co.th

 www.contechsupply.co.th



@contechsupply

Marcespe E-226 UHS



- Micro character UHS speed CIJ
- A 32-bit embedded ARM structure
- Machine status is automatically displayed, with an intelligent alarm
- Intelligent self-inspection of system hardware-software
- Work log record
- Head fully sealed integrated design

Port

USB joggle	Ethernet port	RS 232	RS 485	USB joggle
Opto-switch input	Encoder input	Alert output	Reserve the multiple -channel control output	Opto-switch input

Language

Chinese	English	French	Russian
Korean	Vietnamese	Turkic	Thai
Portuguese	Spanish	Arabic	+

Environment

Specification	Voltage	Humidity	Temperature	Jet head
318x365x722mm	80~260 VAC 50~60 Hz	10~95% without condensation	-10° C ~45°	Default 3 meters Can be customized for 6 meters

Printing Technology



Marcespe E-226 UHS

Provide you with the optimal solution for the identification and application



Remote Control

Remote control system, continuous monitoring and tracking of the parameters of the inkjet printer, So that users can actively solve the potential problems of the inkjet machine, to ensure the continuous operation of the production line.



Instant remote monitoring

Built-in digital operation status monitoring system, intelligent alarm, remote assistance Customers, and predict potential problems to avoid the problems.



Instant APP notification

Assist customers to easily identify potential failures, and through modern communication tools, Send it to the customer's mobile phone in time, automatic prompt.



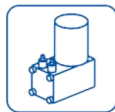
Triple anti blocking function

- Has an independent cleaning pump, each shutdown automatic injection thinner cleaning nozzle and recycling pipeline, automatic injection solvent cleaning nozzle and recycling pipeline before ink water.
- The unique nozzle four-valve structure can ensure that the ink in the ink road system can be thoroughly cleaned, and back to the ink box, and truly achieve the automatic cleaning of the nozzle. Greatly reduce the daily maintenance work and improve the stability of equipment operation.
- The nozzle plate can be removed separately and placed in the super-wave container, which can completely solve the blockage problem.

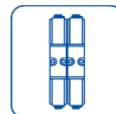
Independent viscosity meter



Automatic on / shutdown



The fully automatic nozzle system can be thoroughly cleaned



Working environment temperature: -10°C~45°C



- You can edit other non-working information when the machine is working, and instantly switch the printing content.
- Online can achieve anti-counterfeiting code printing, variable bar code printing.
- It can receive BMP patterns prepared by the computer side, and can make special characters or patterns directly on the touch screen.
- It has special functions such as coding synchronization, photoelectric synchronization, synchronizer synchronization spacing, N printing, recurrent printing, multiple content selection printing, remote network printing, etc.

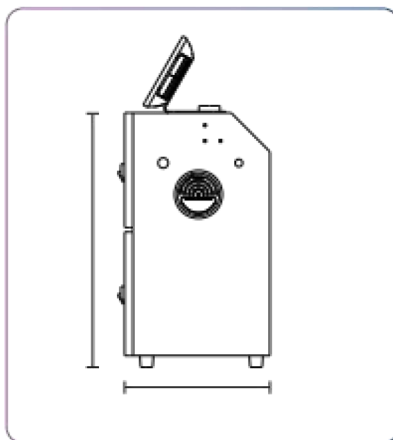


Marcespe E-226 UHS

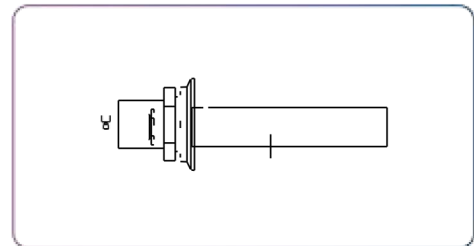
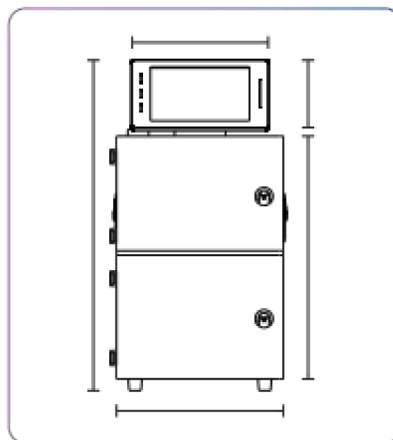
Standard Features

The nozzle size	The 40 / 50um is optional
The number of printing lines	15 lines (5x5 dot matrix)
The number of printing points	5x5, 5x7, 7x9, 6x12, 8x16, 12x34, 16x32, 34.
Spray printing speed	348 m/min (5 dot matrix), 318 m/min (7 dot matrix), 228 m/min (9 dot matrix), 180 m/min (10 dot matrix), 118 m/min (16 dot matrix), 41 m/min (24 dot matrix)
Operation interface	Color touch screen, image and graphic menu.
Canned data	Unrestricted storage printing information (external mobile storage)
Print content	Date, time, automatic date, automatic validity period, class number, batch number, serial number, four groups of counters, meter, self-made pattern, variable barcode, variable two-dimensional code, counterfeit code, fake code, multiple languages, a variety of fonts.
The printing length	Standard with 1024 characters (customizable)
Typewriting	Pinyin input method, location code input method, multilingual input.
Print ink	Black, blue, red, yellow and other color ink.
The printed word is high	0.810mm (adjustable).
Spray printing distance	312mm (adjustable).
Font widening	1-9 x, can be widened for single characters.
The font direction	Normal, reverse, inverted, can be set independently for a single character.
Font spacing	1~8 times, can be edited point by point.
The nozzle is pressing air	Apolegamy
Barcode	EAN 8&13; Code 128 A, B&C; EAN 128; Code 39; Code 93; Interleaved 2 Of 5
QR code (QR, DM)	10×10,12×12,14×14,16×16,18×18,20×20,24×24,34×34
Smart ink box	750 ml
Smart diluent box	750 ml

Host side view



Host face up



Contech Supply Co.,Ltd.

☎ 02-170-8051

✉ contech@contechsupply.co.th

🌐 www.contechsupply.co.th



@contechsupply